

## FEATURES

- **Fast 1 $\mu$ s Response Circuit Breaker**
- **3 Selectable Circuit Breaker Thresholds**
- **No Sense Resistor Required**
- **Dual Level Overcurrent Fault Protection**
- **Controls Load Voltages from 0V to 6V**
- High Side Drive for External N-Channel FET
- Undervoltage Lockout
- READY Pin Signals When Circuit Breaker Armed
- Small Plastic (3mm x 2mm) DFN Package


## APPLICATIONS

- Electronic Circuit Breaker
- High-Side Switch
- Hot Board Insertion

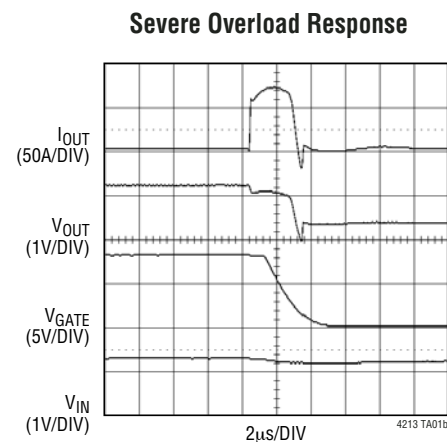
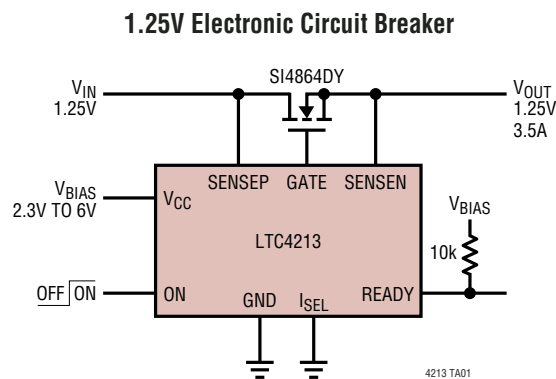
## DESCRIPTION

The LTC<sup>®</sup>4213 is an Electronic Circuit Breaker. An over-current circuit breaker senses the voltage across the drain and source terminals of an external N-channel MOSFET with no need for a sense resistor. The advantages are a lower cost and reduced voltage and power loss in the switch path. An internal high-side driver controls the external MOSFET gate.

Two integrated comparators provide dual level over-current protection over the bias supply to ground common mode range. The slow comparator has 16 $\mu$ s response while the fast comparator trips in 1 $\mu$ s. The circuit breaker has three selectable trip thresholds: 25mV, 50mV and 100mV. An ON pin controls the ON/OFF and resets circuit breaker faults. READY signals the MOSFET is conducting and the circuit breaker is armed. The LTC4213 operates from V<sub>CC</sub> = 2.3V to 6V.

 LTC and LT are registered trademarks of Linear Technology Corporation. No R<sub>SENSE</sub> is a trademark of Linear Technology Corporation. All other trademarks are the property of their respective owners.

## TYPICAL APPLICATION



## ABSOLUTE MAXIMUM RATINGS

(Note 1)

Bias Supply Voltage ( $V_{CC}$ )	.....	-0.3V to 9V
Input Voltages		
ON, SENSEP, SENSEN	.....	-0.3V to 9V
$I_{SEL}$	.....	-0.3V to ( $V_{CC} + 0.3V$ )
Output Voltages		
GATE	.....	-0.3V to 15V
READY	.....	-0.3V to 9V
Operating Temperature Range		
LTC4213C	.....	0°C to 70°C
LTC4213I	.....	-40°C to 85°C
Storage Temperature Range	.....	-65°C to 150°C
Lead Temperature (Soldering, 10sec)	.....	300°C

## PACKAGE/ORDER INFORMATION

	ORDER PART NUMBER
	LTC4213CDDDB LTC4213IDDB
	DDB PART* MARKING
	LBHV

Consult LTC Marketing for parts specified with wider operating temperature ranges.  
\*The temperature grade is identified by a label on the shipping container.

## ELECTRICAL CHARACTERISTICS

The ● denotes the specifications which apply over the full operating temperature range, otherwise specifications are at  $T_A = 25^\circ\text{C}$ .  $V_{CC} = 5V$ ,  $I_{SEL} = 0$  unless otherwise noted. (Note 2)

SYMBOL	PARAMETER	CONDITIONS	MIN	TYP	MAX	UNITS	
$V_{CC}$	Bias Supply Voltage		● 2.3		6	V	
$V_{SENSEP}$	SENSEP Voltage		● 0		6	V	
$I_{CC}$	$V_{CC}$ Supply Current			1.6	3	mA	
$V_{CC(UVLR)}$	$V_{CC}$ Undervoltage Lockout Release	$V_{CC}$ Rising	● 1.8	2.07	2.23	V	
$\Delta V_{CC(UVHYST)}$	$V_{CC}$ Undervoltage Lockout Hysteresis		● 30	100	160	mV	
$I_{SENSEP}$	SENSEP Input Current	$V_{SENSEP} = V_{SENSEN} = 5V$ , Normal Mode		15	40	80	$\mu\text{A}$
		$V_{SENSEP} = V_{SENSEN} = 0$ , Normal Mode			-1	$\pm 15$	$\mu\text{A}$
$I_{SENSEN}$	SENSEN Input Current	$V_{SENSEP} = V_{SENSEN} = 5V$ , Normal Mode		15	40	80	$\mu\text{A}$
		$V_{SENSEP} = V_{SENSEN} = 0$ , Normal Mode			-1	$\pm 15$	$\mu\text{A}$
		$V_{SENSEP} = V_{SENSEN} = 5V$ , Reset Mode or Fault Mode		50	280		$\mu\text{A}$
$V_{CB}$	Circuit Breaker Trip Voltage $V_{CB} = V_{SENSEP} - V_{SENSEN}$	$I_{SEL} = 0$ , $V_{SENSEP} = V_{CC}$	●	22.5	25	27.5	mV
		$I_{SEL} = \text{Floated}$ , $V_{SENSEP} = V_{CC}$	●	45	50	55	mV
		$I_{SEL} = V_{CC}$ , $V_{SENSEP} = V_{CC}$	●	90	100	110	mV
$V_{CB(FAST)}$	Fast Circuit Breaker Trip Voltage $V_{CB(FAST)} = V_{SENSEP} - V_{SENSEN}$	$I_{SEL} = 0$ , $V_{SENSEP} = V_{CC}$	●	63	100	115	mV
		$I_{SEL} = \text{Floated}$ , $V_{SENSEP} = V_{CC}$	●	126	175	200	mV
		$I_{SEL} = V_{CC}$ , $V_{SENSEP} = V_{CC}$	●	252	325	371	mV
$I_{GATE(UP)}$	GATE Pin Pull Up Current	$V_{GATE} = 0V$	●	-50	-100	-150	$\mu\text{A}$
$I_{GATE(DN)}$	GATE Pin Pull Down Current	$\Delta V_{SENSEP} - V_{SENSEN} = 200\text{mV}$ , $V_{GATE} = 8V$	●	10	40		mA
$\Delta V_{GSMAX}$	External N-Channel Gate Drive	$V_{SENSEN} = 0$ , $V_{CC} \geq 2.97V$ , $I_{GATE} = -1\mu\text{A}$	●	4.8	6.5	8	V
		$V_{SENSEN} = 0$ , $V_{CC} = 2.3V$ , $I_{GATE} = -1\mu\text{A}$	●	2.65	4.3	8	V
$\Delta V_{GSARM}$	$V_{GS}$ Voltage to Arm Circuit Breaker	$V_{SENSEN} = 0$ , $V_{CC} \geq 2.97V$	●	4.4	5.4	7.6	V
		$V_{SENSEN} = 0$ , $V_{CC} = 2.3V$	●	2.5	3.5	7	V

## ELECTRICAL CHARACTERISTICS

The ● denotes the specifications which apply over the full operating temperature range, otherwise specifications are at  $T_A = 25^\circ\text{C}$ .  $V_{CC} = 5\text{V}$ ,  $I_{SEL} = 0$  unless otherwise noted. (Note 2)

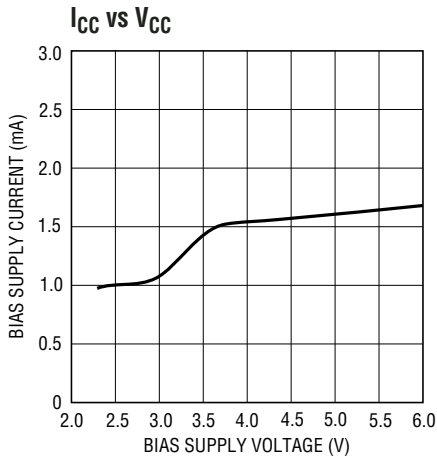
SYMBOL	PARAMETER	CONDITIONS		MIN	TYP	MAX	UNITS
$\Delta V_{GS\text{MAX}} - \Delta V_{GS\text{ARM}}$	Difference Between $\Delta V_{GS\text{MAX}}$ and $\Delta V_{GS\text{ARM}}$	$V_{\text{SENSE}} = 0$ , $V_{CC} \geq 2.97\text{V}$	●	0.3	1.1		V
		$V_{\text{SENSE}} = 0$ , $V_{CC} = 2.3\text{V}$	●	0.15	0.8		V
$V_{\text{READY(OL)}}$	READY Pin Output Low Voltage	$I_{\text{READY}} = 1.6\text{mA}$ , Pull Down Device On	●		0.2	0.4	V
$I_{\text{READY(LEAK)}}$	READY Pin Leakage Current	$V_{\text{READY}} = 5\text{V}$ , Pull Down Device Off	●		0	$\pm 1$	$\mu\text{A}$
$V_{\text{ON(TH)}}$	ON Pin High Threshold	ON Rising, GATE Pulls Up	●	0.76	0.8	0.84	V
$\Delta V_{\text{ON(HYST)}}$	ON Pin Hysteresis	ON Falling, GATE Pulls Down		10	40	90	mV
$V_{\text{ON(RST)}}$	ON Pin Reset Threshold	ON Falling, Fault Reset, GATE Pull Down	●	0.36	0.4	0.44	V
$I_{\text{ON(IN)}}$	ON Pin Input Current	$V_{\text{ON}} = 1.2\text{V}$	●		0	$\pm 1$	$\mu\text{A}$
$\Delta V_{\text{OV}}$	Overvoltage Threshold $\Delta V_{\text{OV}} = V_{\text{SENSEP}} - V_{CC}$		●	0.41	0.7	1.1	V
$t_{\text{OV}}$	Overvoltage Protection Trip Time	$V_{\text{SENSEP}} = V_{\text{SENSE}} = \text{Step } 5\text{V to } 6.2\text{V}$		25	65	160	$\mu\text{s}$
$t_{\text{FAULT(SLOW)}}$	$V_{\text{CB}}$ Trips to GATE Discharging	$\Delta V_{\text{SENSE}}$ Step 0mV to 50mV, $V_{\text{SENSE}}$ Falling, $V_{CC} = V_{\text{SENSEP}} = 5\text{V}$	●	7	16	27	$\mu\text{s}$
$t_{\text{FAULT(FAST)}}$	$V_{\text{CB(FAST)}}$ Trips to GATE Discharging	$\Delta V_{\text{SENSE}}$ Step 0V to 0.3V, $V_{\text{SENSE}}$ Falling, $V_{\text{SENSEP}} = 5\text{V}$	●		1	2.5	$\mu\text{s}$
$t_{\text{DEBOUNCE}}$	Startup De-Bounce Time	$V_{\text{ON}} = 0\text{V to } 2\text{V}$ Step to Gate Rising, (Exiting Reset Mode)		27	60	130	$\mu\text{s}$
$t_{\text{READY}}$	READY Delay Time	$V_{\text{GATE}} = 0\text{V to } 8\text{V}$ Step to READY Rising, $V_{\text{SENSEP}} = V_{\text{SENSE}} = 0$		22	50	115	$\mu\text{s}$
$t_{\text{OFF}}$	Turn-Off Time	$V_{\text{ON}} = 2\text{V to } 0.6\text{V}$ Step to GATE Discharging		1.5	5	10	$\mu\text{s}$
$t_{\text{ON}}$	Turn-On Time	$V_{\text{ON}} = 0.6\text{V to } 2\text{V}$ Step to GATE Rising, (Normal Mode)		4	8	16	$\mu\text{s}$
$t_{\text{RESET}}$	Reset Time	$V_{\text{ON}}$ Step 2V to 0V		20	80	150	$\mu\text{s}$

**Note 1:** Absolute Maximum Ratings are those values beyond which the life of a device may be impaired.

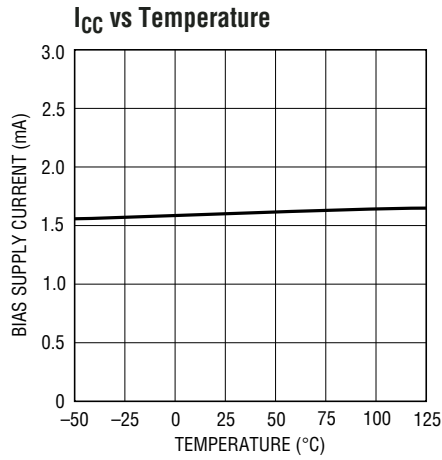
**Note 2:** All currents into device pins are positive; all currents out of device pins are negative. All voltages are referenced to ground unless otherwise specified.

## TYPICAL PERFORMANCE CHARACTERISTICS

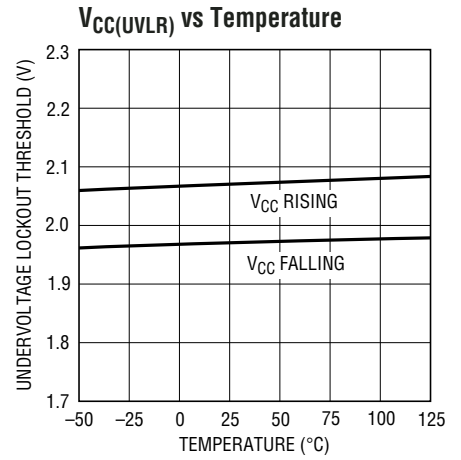
Specifications are at  $T_A = 25^\circ\text{C}$ .  $V_{CC} = 5\text{V}$  unless otherwise noted.



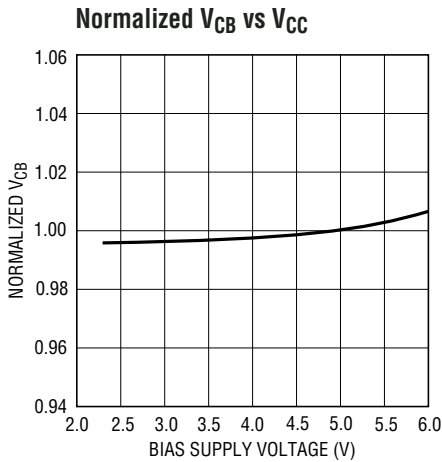
4213 G01



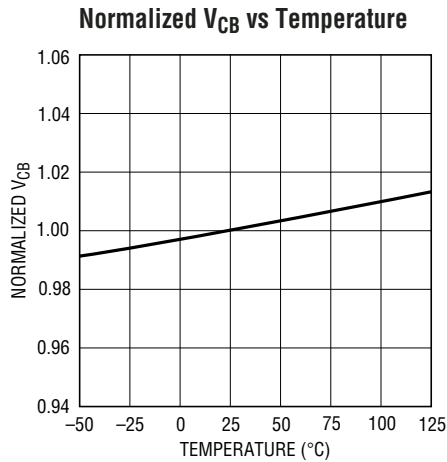
4213 G02



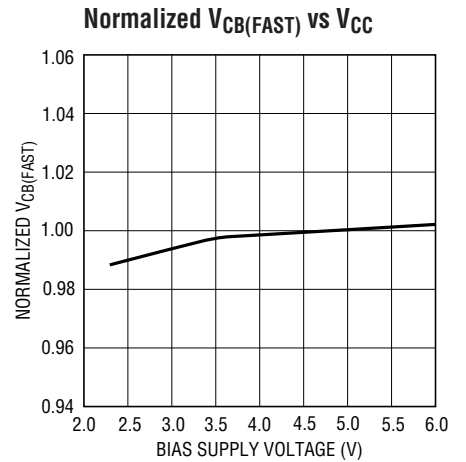
4213 G03



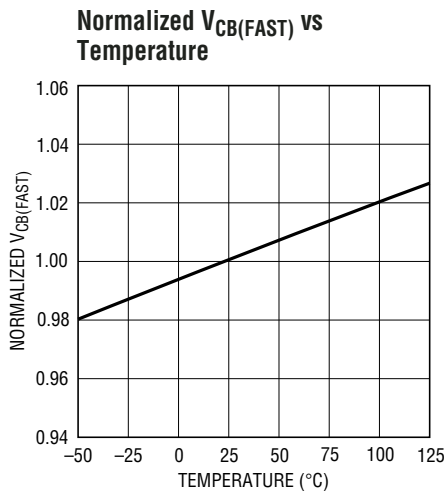
4213 G04



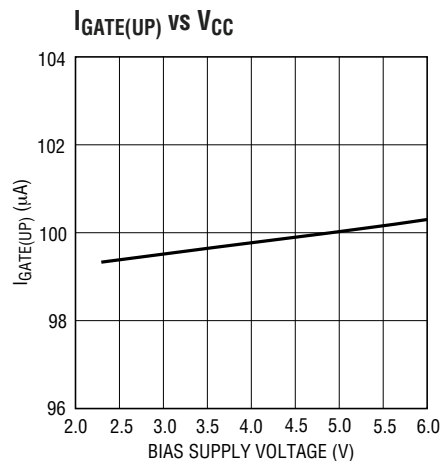
4213 G05



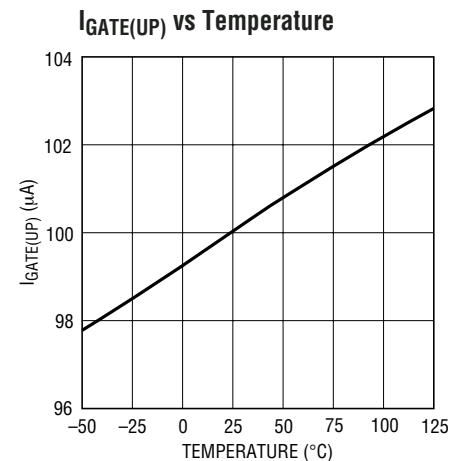
4213 G06



4213 G07

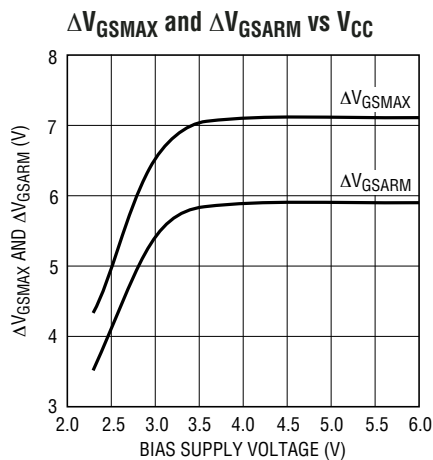


4213 G08

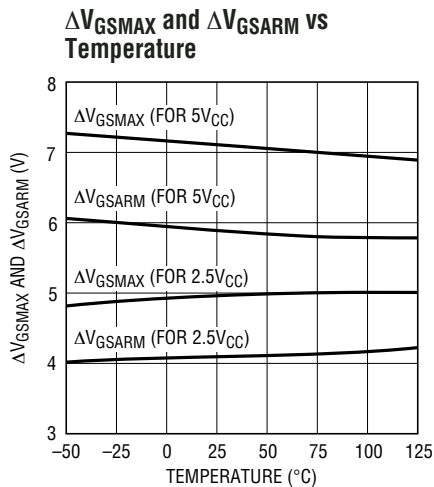


4213 G09

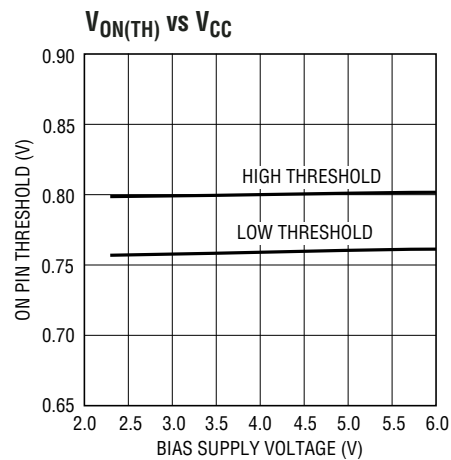
**TYPICAL PERFORMANCE CHARACTERISTICS** Specifications are at  $T_A = 25^\circ\text{C}$ .  $V_{CC} = 5\text{V}$  unless otherwise noted.



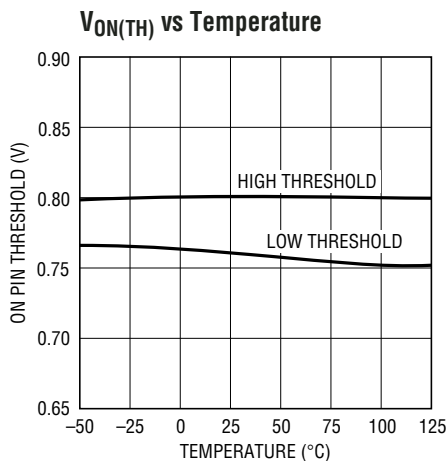
4213 G10



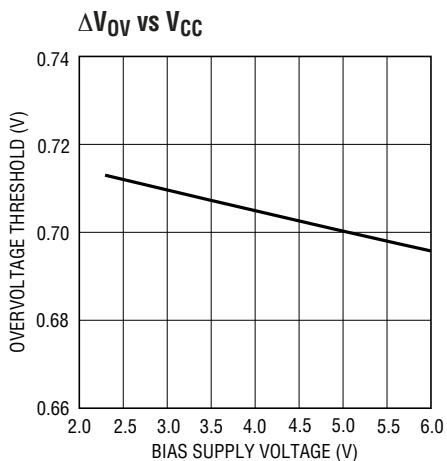
4213 G11



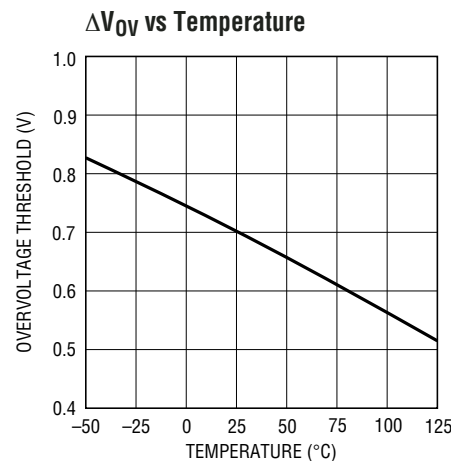
4213 G12



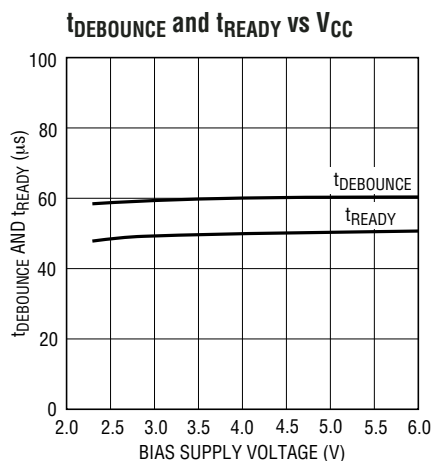
4213 G13



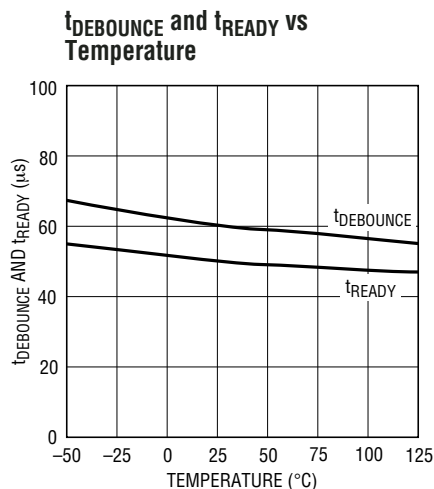
4213 G14



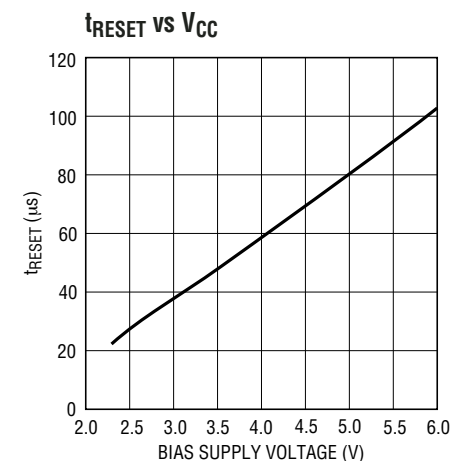
4213 G15



4213 G16



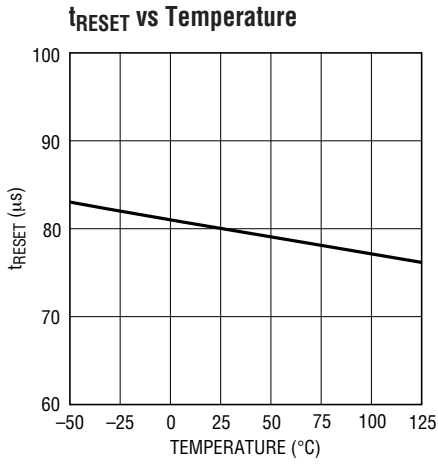
4213 G17



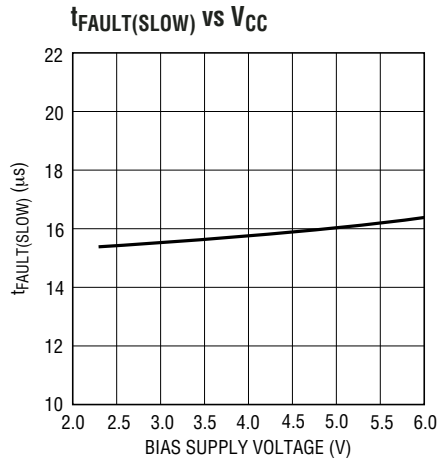
4213 G18

## TYPICAL PERFORMANCE CHARACTERISTICS

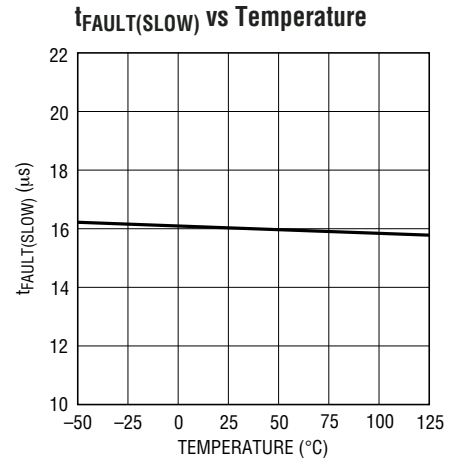
Specifications are at  $T_A = 25^\circ\text{C}$ .  $V_{CC} = 5\text{V}$  unless otherwise noted.



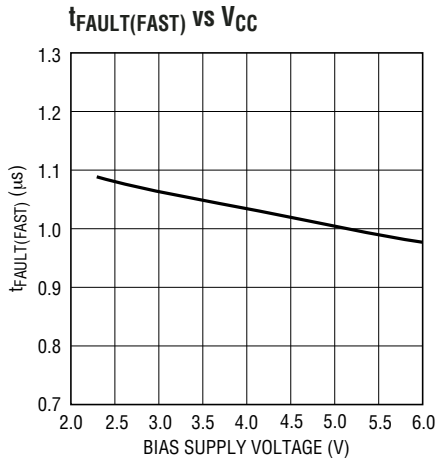
4213 G19



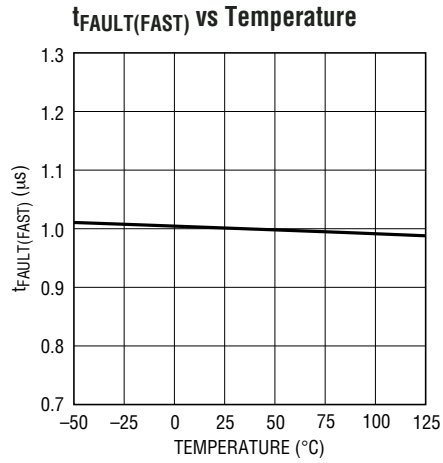
4213 G20



4213 G21



4213 G22



4213 G23

## PIN FUNCTIONS

**READY (Pin 1):** READY Status Output. Open drain output that goes high impedance when the external MOSFET is on and the circuit breaker is armed. Otherwise this pin pulls low.

**ON (Pin 2):** ON Control Input. The LTC4213 is in reset mode when the ON pin is below 0.4V. When the ON pin increases above 0.8V, the device starts up and the GATE pulls up with a 100 $\mu$ A current source. When the ON pin drops below 0.76V, the GATE pulls down. To reset a circuit breaker fault, the ON pin must go below 0.4V.

**I<sub>SEL</sub> (Pin 3):** Threshold Select Input. With the I<sub>SEL</sub> pin grounded, float or tied to V<sub>CC</sub> the V<sub>CB</sub> is set to 25mV, 50mV or 100mV, respectively. The corresponding V<sub>CB(FAST)</sub> values are 100mV, 175mV and 325mV.

**GND (Pin 4):** Device Ground.

**GATE (Pin 5):** GATE Drive Output. An internal charge pump supplies 100 $\mu$ A pull-up current to the gate of the external N-channel MOSFET. Internal circuitry limits the

voltage between the GATE and SENSEN pins to a safe gate drive voltage of less than 8V. When the circuit breaker trips, the GATE pin abruptly pulls to GND.

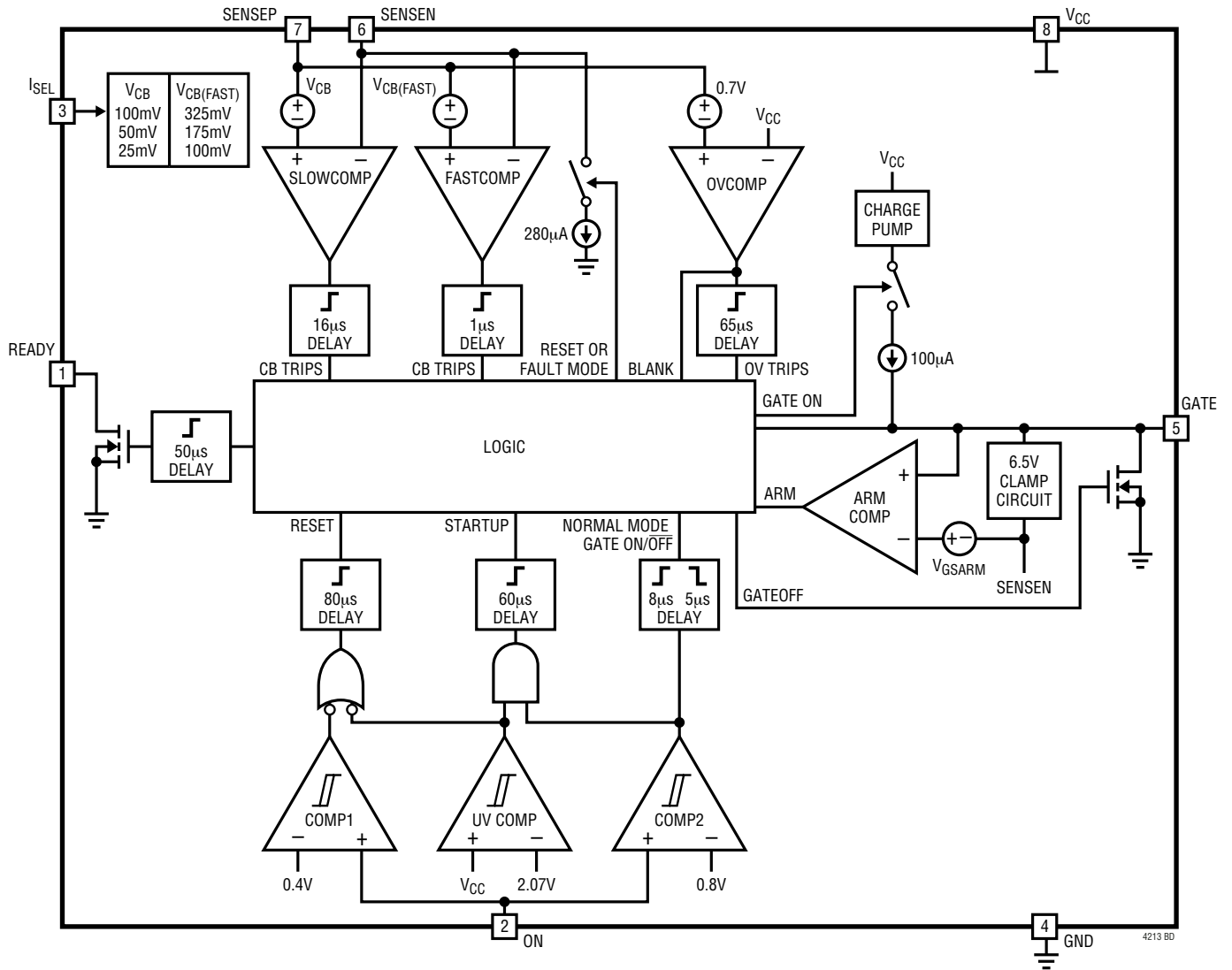
**SENSEN (Pin 6):** Circuit Breaker Negative Sense Input. Connect this pin to the source of the external MOSFET. During reset or fault mode, the SENSEN pin discharges the output to ground with 280 $\mu$ A.

**SENSEP (Pin 7):** Circuit Breaker Positive Sense Input. Connect this pin to the drain of external N-channel MOSFET. The circuit breaker trips when the voltage across SENSEP and SENSEN exceeds V<sub>CB</sub>. The input common mode range of the circuit breaker is from ground to V<sub>CC</sub> + 0.2V when V<sub>CC</sub> < 2.5V. For V<sub>CC</sub>  $\geq$  2.5V, the input common mode range is from ground to V<sub>CC</sub> + 0.4V.

**V<sub>CC</sub> (Pin 8):** Bias Supply Voltage Input. Normal operation is between 2.3V and 6V. An internal under-voltage lockout circuit disables the device when V<sub>CC</sub> < 2.07V.

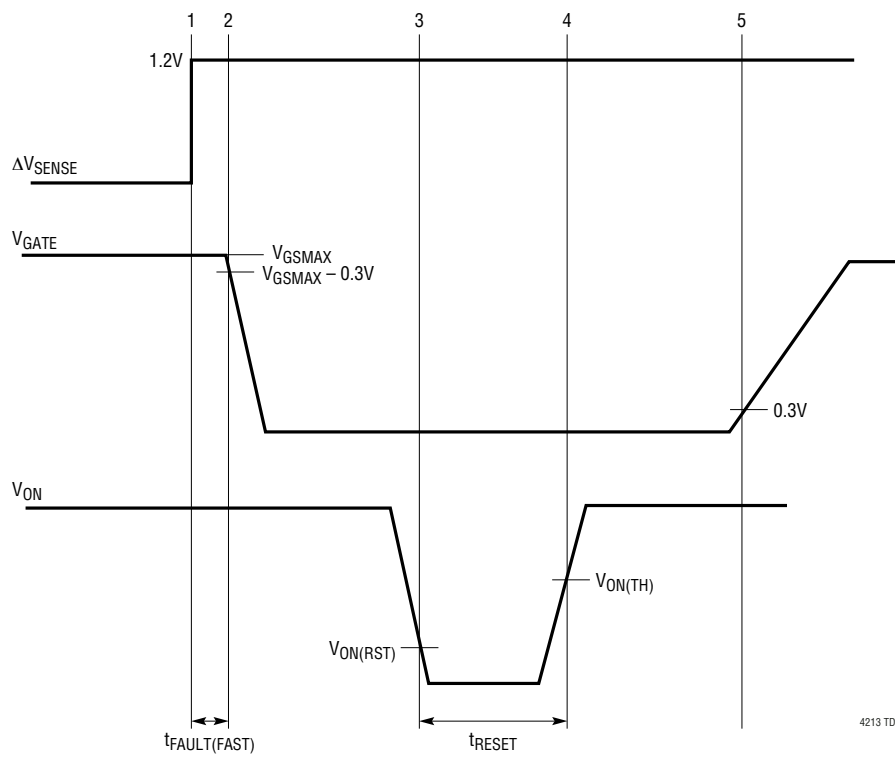
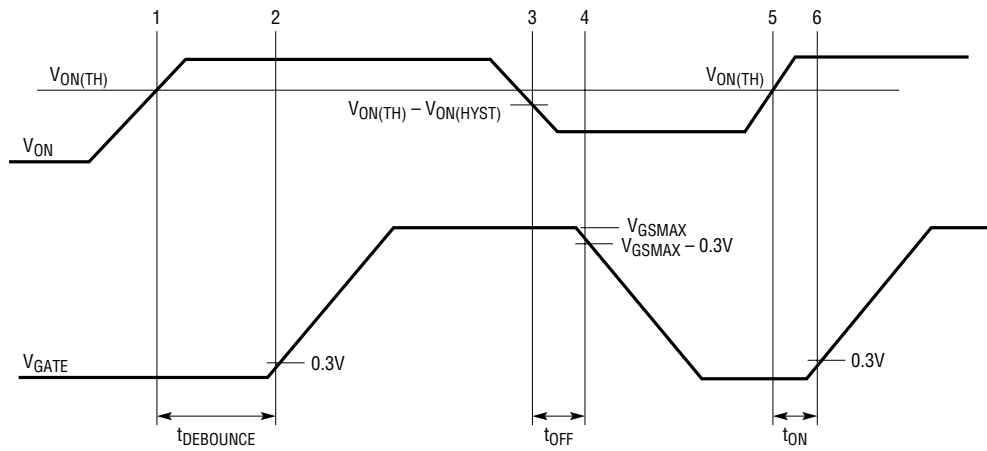
**Exposed Pad (Pin 9):** Exposed pad may be left open or connected to device ground.

**BLOCK DIAGRAM**





# TIMING DIAGRAM



4213 TD

## OPERATION

### Overview

The LTC4213 is an Electronic Circuit Breaker (ECB) that senses load current with the the  $R_{DS(ON)}$  of the external MOSFET instead of using an external sense resistor. This no  $R_{SENSE}$  method is less precise than  $R_{SENSE}$  method due to the variation of  $R_{DS(ON)}$ . However, the advantages are less complex, lower cost and reduce voltage and power loss in the switch path owing to the absence of a sense resistor. Without the external sense resistor voltage drop, the  $V_{OUT}$  improvement can be quite significant especially in the low voltage applications. The LTC4213 is designed to operate over a bias supply range from 2.3V to 6V. When bias supply voltage and the ON pin are sufficiently high, the GATE pin starts charging after an internal debounce delay of 60 $\mu$ s. During the GATE ramp-up, the circuit breaker is not armed until the external MOSFET is fully turned on. Once the circuit breaker is armed, the LTC4213 monitors the load current through the  $R_{DS(ON)}$  of the external MOSFET.

### Circuit Breaker Function

The LTC4213 provides dual level and dual response time circuit breaker functions for overcurrent protection.

The LTC4213 circuit breaker function block consists of two comparators, SLOWCOMP and FASTCOMP. The

thresholds of SLOWCOMP and FASTCOMP are  $V_{CB}$  and  $V_{CB(FAST)}$ . The  $I_{SEL}$  pin selects one of the three settings:

1.  $V_{CB} = 25\text{mV}$  and  $V_{CB(FAST)} = 100\text{mV}$  with  $I_{SEL}$  at GND
2.  $V_{CB} = 50\text{mV}$  and  $V_{CB(FAST)} = 175\text{mV}$  with  $I_{SEL}$  floating
3.  $V_{CB} = 100\text{mV}$  and  $V_{CB(FAST)} = 325\text{mV}$  with  $I_{SEL}$  at  $V_{CC}$

$I_{SEL}$  can be stepped dynamically, such as to allow a higher circuit breaker threshold at startup and a lower threshold after supply current has settled. The inputs of the comparators are SENSEP and SENSEN pins. The voltage across the drain and source of the external MOSFET is sensed at SENSEP and SENSEN.

$$\Delta V_{SENSE} = V_{SENSEP} - V_{SENSEN} \quad (1)$$

When  $\Delta V_{SENSE}$  exceeds the  $V_{CB}$  threshold but is less than  $V_{CB(FAST)}$ , the comparator SLOWCOMP trips the circuit breaker after a 16 $\mu$ s delay. If  $\Delta V_{SENSE}$  is greater than  $V_{CB(FAST)}$ , the comparator FASTCOMP trips the circuit breaker in 1 $\mu$ s.

A severe short circuit condition can cause the load supply to dip substantially. This does not pose a problem for the LTC4213 as the input stages of the current limit comparators are common mode to ground.

## APPLICATIONS INFORMATION

Figure 1 shows an electronic circuit breaker (ECB) application. An external auxiliary supply biases the  $V_{CC}$  pin and the internal circuitry. A  $V_{IN}$  load supply powers the load via an external MOSFET. The SENSEP and SENSEN pins

sense the load current at the drain and source of the external MOSFET. In ECB applications, large input bypass capacitors are usually recommended for good transient performance.

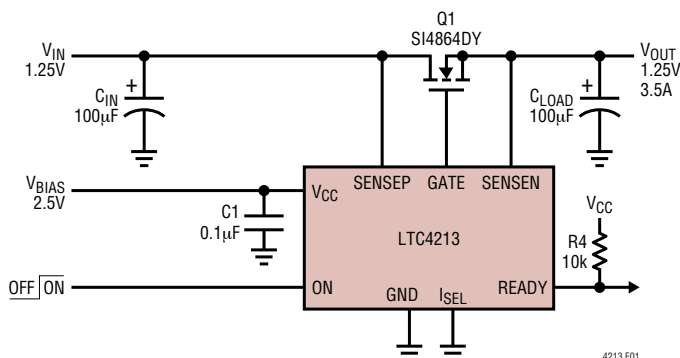


Figure 1. LTC4213 Electronic Circuit Breaker Application

### Undervoltage Lockout

An internal undervoltage lockout (UVLO) circuit resets the LTC4213 if the  $V_{CC}$  supply is too low for normal operation. The UVLO comparator (UVCOMP) has a low-to-high threshold of 2.07V and 100mV of hysteresis. UVLO shares the glitch filters for both low-to-high transition (startup) and high-to-low transition (reset) with the ON pin comparators. Above 2.07V bias supply voltage, the LTC4213 starts if the ON pin conditions are met. Short, shallow bus bias

## APPLICATIONS INFORMATION

supply transient dips below 1.97V of less than 80 $\mu$ s are ignored.

### ON Function

When  $V_{ON}$  is below comparator COMP1's threshold of 0.4V for 80 $\mu$ s, the device resets. The system leaves reset mode if the ON pin rises above comparator COMP2's threshold of 0.8V and the UVLO condition is met. Leaving reset mode, the GATE pin starts up after a  $t_{DEBOUNCE}$  delay of 60 $\mu$ s. When ON goes below 0.76V, the GATE shuts off after a 5 $\mu$ s glitch filter delay. The output is discharged by the external load when  $V_{ON}$  is in between 0.4V to 0.8V. At this state, the ON pin can re-enable the GATE if  $V_{ON}$  exceeds 0.8V for more than 8 $\mu$ s. Alternatively, the device resets if the ON pin is brought below 0.4V for 80 $\mu$ s. Once reset, the GATE pin restarts only after the  $t_{DEBOUNCE}$  60 $\mu$ s delay at  $V_{ON}$  rising above 0.8V. To protect the ON pin from overvoltage stress due to supply transients, a series resistor of greater than 10k is recommended when the ON pin is connected directly to the supply. An external resistive divider at the ON pin can be used with COMP2 to set a supply undervoltage lockout value higher than the internal UVLO circuit. An RC filter can be implemented at the ON pin to increase the powerup delay time beyond the internal 60 $\mu$ s delay.

### Gate Function

The GATE pin is held low in reset mode. 60 $\mu$ s after leaving reset mode, the GATE pin is charged up by an internal 100 $\mu$ A current source. The circuit breaker arms when  $V_{GATE} > V_{SENSE} + \Delta V_{GSARM}$ . In normal mode operation, the GATE peak voltage is internally clamped to  $\Delta V_{GSMAX}$  above the SENSEN pin. When the circuit breaker trips, an internal MOSFET shorts the GATE pin to GND, turning off the external MOSFET.

### READY Status

The READY pin is held low during reset and at startup. It is pulled high by an external pullup resistor 50 $\mu$ s after the circuit breaker arms. The READY pin pulls low if the circuit breaker trips or the ON pin is pulled below 0.76V, or  $V_{CC}$  drops below undervoltage lockout.

### $\Delta V_{GSARM}$ and $V_{GSMAX}$

Each MOSFET has a recommended  $V_{GS}$  drive voltage where the channel is deemed fully enhanced and  $R_{DSON}$  is minimized. Driving beyond this recommended  $V_{GS}$  voltage yields a marginal decrease in  $R_{DSON}$ . At startup, the gate voltage starts at ground potential. The GATE ramps past the MOSFET threshold and the load current begins to flow. When  $V_{GS}$  exceeds  $\Delta V_{GSARM}$ , the circuit breaker is armed and enabled. The chosen MOSFET should have a recommended minimum  $V_{GS}$  drive level that is lower than  $\Delta V_{GSARM}$ . Finally,  $V_{GS}$  reaches a maximum at  $\Delta V_{GSMAX}$ .

### Trip and Reset Circuit Breaker

Figure 2 shows the timing diagram of  $V_{GATE}$  and  $V_{READY}$  after a fault condition. A tripped circuit breaker can be reset either by cycling the  $V_{CC}$  bias supply below UVLO threshold or pulling ON below 0.4V for  $>t_{RESET}$ . Figure 3 shows the timing diagram for a tripped circuit breaker being reset by the ON pin.

### Calculating Current Limit

The fault current limit is determined by the  $R_{DSON}$  of the MOSFET and the circuit breaker voltage  $V_{CB}$ .

$$I_{LIMIT} = \frac{V_{CB}}{R_{DSON}} \quad (2)$$

The  $R_{DSON}$  value depends on the manufacturer's distribution,  $V_{GS}$  and junction temperature. Short Kelvin-sense connections between the MOSFET drain and source to the LTC4213 SENSEP and SENSEN pins are strongly recommended.

For a selected MOSFET, the nominal load limit current is given by:

$$I_{LIMIT(NOM)} = \frac{V_{CB(NOM)}}{R_{DSON(NOM)}} \quad (3)$$

The minimum load limit current is given by:

$$I_{LIMIT(MIN)} = \frac{V_{CB(MIN)}}{R_{DSON(MAX)}} \quad (4)$$

## APPLICATIONS INFORMATION

The maximum load limit current is given by:

$$I_{LIMIT(MAX)} = \frac{V_{CB(MAX)}}{R_{DSON(MIN)}} \quad (5)$$

Most MOSFET data sheets have an  $R_{DSON}$  specification with typical and maximum values but no minimum value. Assuming a normal distribution with typical as mean, the minimum value can be estimated as

$$R_{DSON(MIN)} = 2 \cdot R_{DSON(NOM)} - R_{DSON(MAX)} \quad (6)$$

The LTC4213 gives higher gate drive than the manufacturer specified gate drive for  $R_{DSON}$ . This gives a slightly lower  $R_{DSON}$  than specified. Operating temperature also modulates the  $R_{DSON}$  value.

### Example Current Limit Calculation

An Si4410DY is used for current detection in a 5V supply system with the LTC4213  $V_{CB}$  at 25mV ( $I_{SEL}$  pin grounded).

The  $R_{DSON}$  distribution for the Si4410DY is

$$\text{Typical } R_{DSON} = 0.015\Omega = 100\%$$

$$\text{Maximum } R_{DSON} = 0.02\Omega = 133.3\%$$

$$\text{Estimated MIN } R_{DSON} = 2 \cdot 15 - 20 = 0.010\Omega = 66.7\%$$

The  $R_{DSON}$  variation due to gate drive is

$$R_{DSON} @ 4.5V_{GS} = 0.015\Omega = 100\% \text{ (spec. TYP)}$$

$$R_{DSON} @ 4.8V_{GS} = 0.014\Omega = 93\% \text{ (MIN } \Delta V_{GS\text{MAX}})$$

$$R_{DSON} @ 7V_{GS} = 0.0123\Omega = 82\% \text{ (NOM } \Delta V_{GS\text{MAX}})$$

$$R_{DSON} @ 8V_{GS} = 0.012\Omega = 80\% \text{ (MAX } \Delta V_{GS\text{MAX}})$$

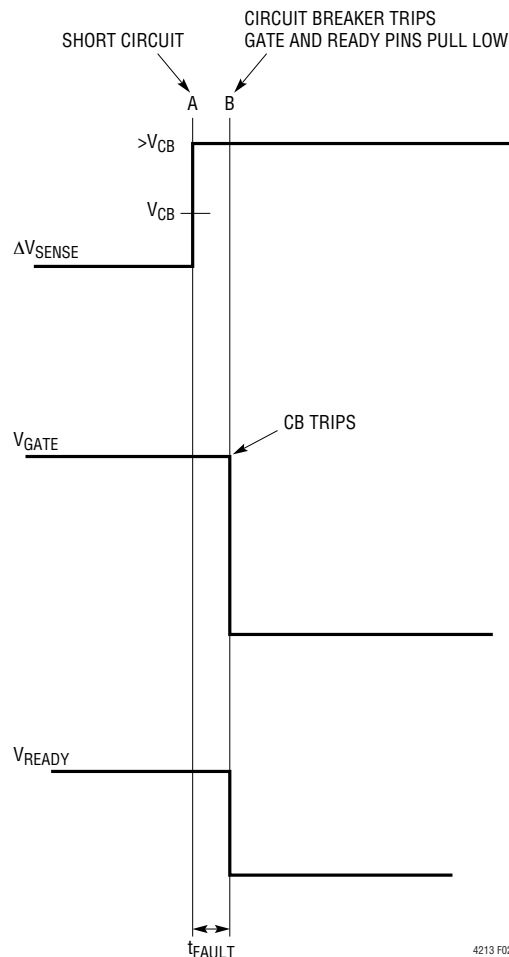


Figure 2. Short Circuit Fault Timing Diagram

# APPLICATIONS INFORMATION

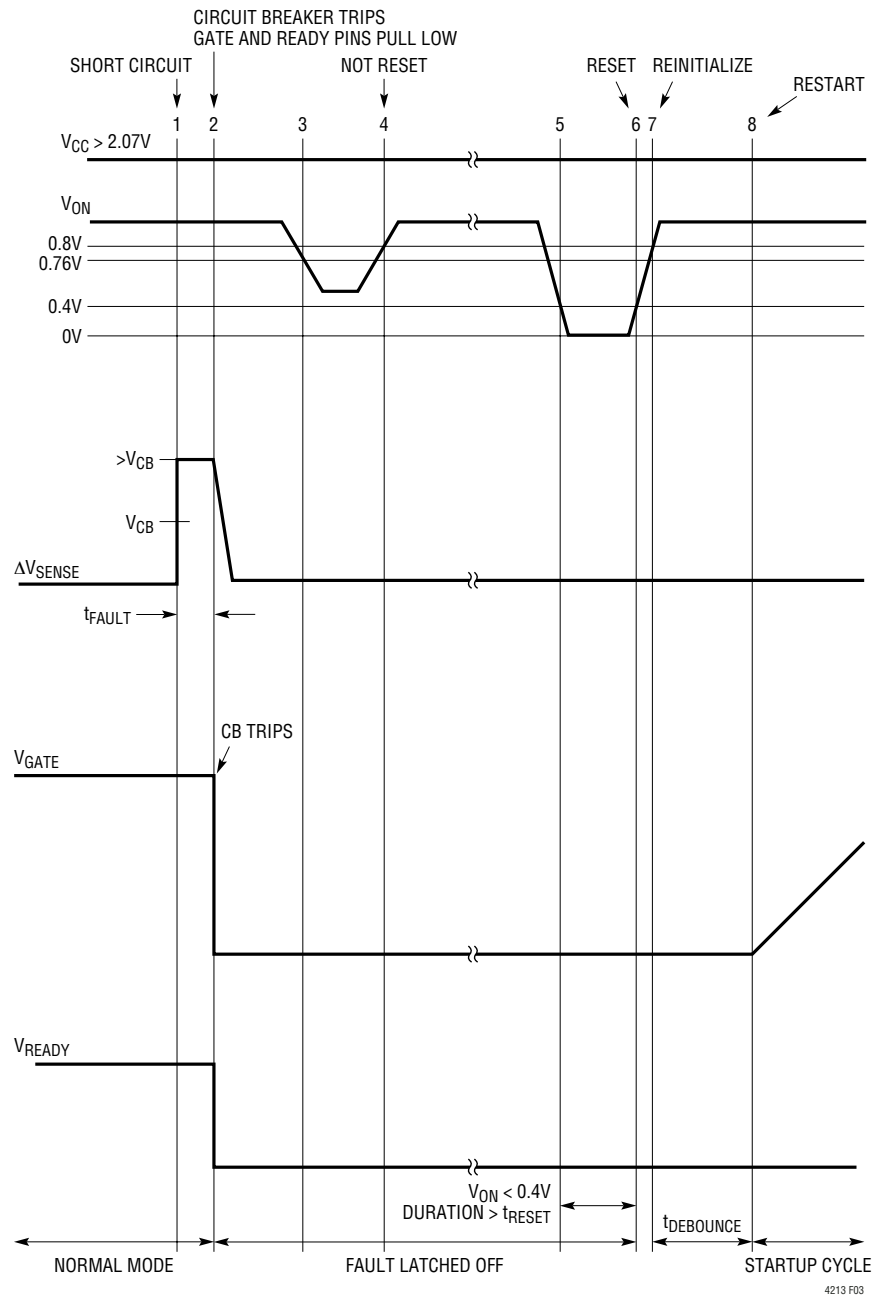


Figure 3. Resetting Fault Timing Diagram

## APPLICATIONS INFORMATION

Operating temperature of 0° to 70°C.

$$R_{\text{DSON}} @ 25^{\circ}\text{C} = 100\%$$

$$R_{\text{DSON}} @ 0^{\circ}\text{C} = 90\%$$

$$R_{\text{DSON}} @ 70^{\circ}\text{C} = 120\%$$

MOSFET resistance variation:

$$R_{\text{DSON(NOM)}} = 15\text{m} \cdot 0.82 = 12.3\text{m}\Omega$$

$$R_{\text{DSON(MAX)}} = 15\text{m} \cdot 1.333 \cdot 0.93 \cdot 1.2 = 15\text{m} \cdot 1.488 \\ = 22.3\text{m}\Omega$$

$$R_{\text{DSON(MIN)}} = 15\text{m} \cdot 0.667 \cdot 0.80 \cdot 0.90 = 15\text{m} \cdot 0.480 \\ = 7.2\text{m}\Omega$$

$V_{\text{CB}}$  variation:

$$\text{NOM } V_{\text{CB}} = 25\text{mV} = 100\%$$

$$\text{MIN } V_{\text{CB}} = 22.5\text{mV} = 90\%$$

$$\text{MAX } V_{\text{CB}} = 27.5\text{mV} = 110\%$$

The current limits are:

$$I_{\text{LIMIT(NOM)}} = 25\text{mV}/12.3\text{m}\Omega = 2.03\text{A}$$

$$I_{\text{LIMIT(MIN)}} = 22.5\text{mV}/22.3\text{m}\Omega = 1.01\text{A}$$

$$I_{\text{LIMIT(MAX)}} = 27.5\text{mV}/7.2\text{m}\Omega = 3.82\text{A}$$

For proper operation, the minimum current limit must exceed the circuit maximum operating load current with margin. So this system is suitable for operating load current up to 1A. From this calculation, we can start with the general rule for MOSFET  $R_{\text{DSON}}$  by assuming maximum operating load current is roughly half of the  $I_{\text{LIMIT(NOM)}}$ . Equation 7 shows the rule of thumb.

$$I_{\text{OPMAX}} = \frac{V_{\text{CB(NOM)}}}{2 \cdot R_{\text{DSON(NOM)}}} \quad (7)$$

Note that the  $R_{\text{DSON(NOM)}}$  is at the LTC4213 nominal operating  $\Delta V_{\text{GS MAX}}$  rather than at typical vendor spec. Table 1 gives the nominal operating  $\Delta V_{\text{GS MAX}}$  at the various operating  $V_{\text{CC}}$ . From this table users can refer to the MOSFET's data sheet to obtain the  $R_{\text{DSON(NOM)}}$  value.

**Table 1. Nominal Operating  $\Delta V_{\text{GS MAX}}$  for Typical Bias Supply Voltage**

$V_{\text{CC}}$ (V)	$\Delta V_{\text{GS MAX}}$ (V)
2.3	4.3
2.5	5.0
2.7	5.6
3.0	6.5
3.3	7.0
5.0	7.0
6.0	7.0

### Load Supply Power-Up after Circuit Breaker Armed

Figure 4 shows a normal power-up sequence for the circuit in Figure 1 where the  $V_{\text{IN}}$  load supply power-up after circuit breaker is armed.  $V_{\text{CC}}$  is first powered up by an auxiliary bias supply.  $V_{\text{CC}}$  rises above 2.07V at time point 1.  $V_{\text{ON}}$  exceeds 0.8V at time point 2. After a 60 $\mu\text{s}$  debounce delay, the GATE pin starts ramping up at time point 3. The external MOSFET starts conducting at time point 4. At time point 5,  $V_{\text{GATE}}$  exceed  $\Delta V_{\text{GS ARM}}$  and the circuit breaker is armed. After 50 $\mu\text{s}$  ( $t_{\text{READY}}$  delay), READY pulls high by an external resistor at time point 6. READY signals the  $V_{\text{IN}}$  load supply module to start its ramp. The load supply begins soft-start ramp at time point 7. The load supply ramp rate must be slow to prevent circuit breaker tripping as in equation (8).

$$\frac{\Delta V_{\text{IN}}}{\Delta t} < \frac{I_{\text{OPMAX}} - I_{\text{LOAD}}}{C_{\text{LOAD}}} \quad (8)$$

Where  $I_{\text{OPMAX}}$  is the maximum operating current defined by equation 7.

For illustration,  $V_{\text{CB}} = 25\text{mV}$  and  $R_{\text{DSON}} = 3.5\text{m}\Omega$  at the nominal operating  $\Delta V_{\text{GS MAX}}$ . The maximum operating current is 3.5A (refer to equation 7). Assuming the load can draw a current of 2A at power-up, there is a margin of 1.5A available for  $C_{\text{LOAD}}$  of 100 $\mu\text{F}$  and  $V_{\text{IN}}$  ramp rate should be <15V/ms. At time point 8, the current through the MOSFET reduces after  $C_{\text{LOAD}}$  is fully charged.

APPLICATIONS INFORMATION

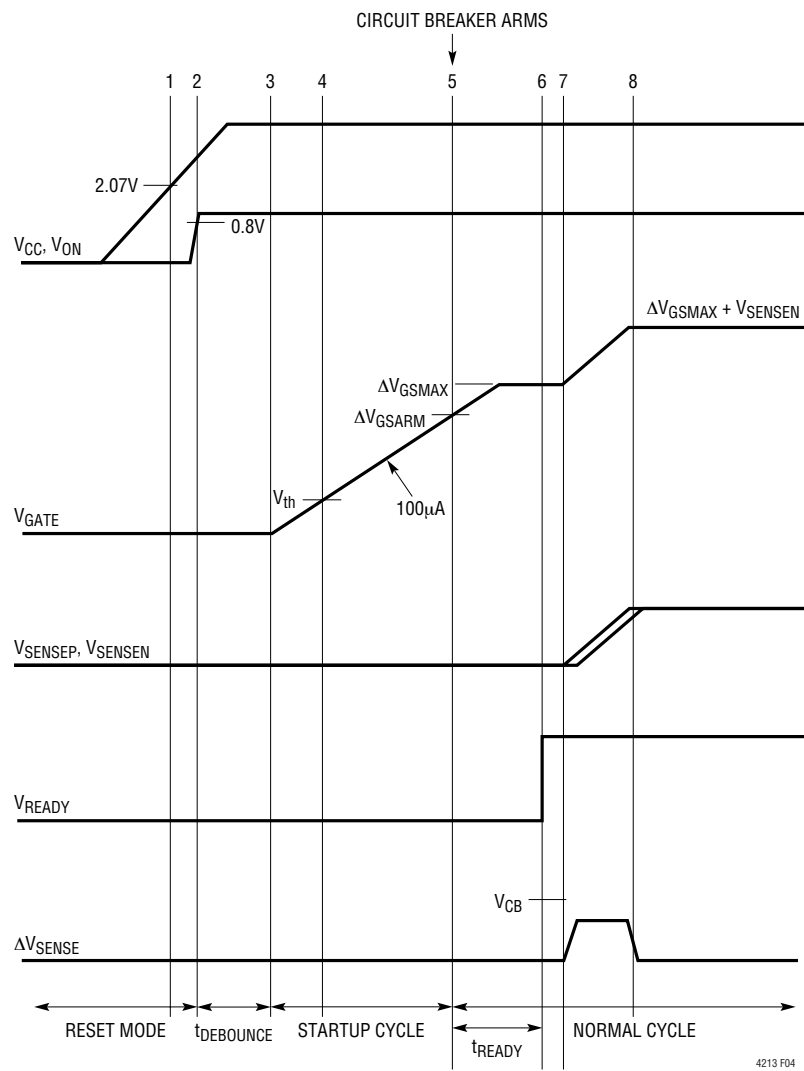


Figure 4. Load Supply Power-Up After Circuit Breaker Armed

4213 F04

## APPLICATIONS INFORMATION

### Load Supply Power-Up Before $V_{CC}$

Referring back to Figure 1, the  $V_{IN}$  load supply can also be powered up before  $V_{CC}$ . Figure 5 shows the timing diagram with the  $V_{IN}$  load supply active initially. An internal circuit ensures that the GATE pin is held low. At time point 1,  $V_{CC}$  clears UVLO and at time point 2,  $ON$  clears 0.8V. 60 $\mu$ s later at time point 3, the GATE is ramped up with 100 $\mu$ A. At time point 4, GATE reaches the external MOSFET threshold  $V_{TH}$  and  $V_{OUT}$  starts to ramp up. At time point 5,  $V_{SENSE}$  is near its peak. At time point 6, the circuit breaker is armed and the circuit breaker can trip if  $\Delta V_{SENSE} > V_{CB}$ .

At time point 7, the GATE voltage peaks. 50 $\mu$ s after time point 6,  $READY$  goes HIGH.

### Startup Problems

There is no current limit monitoring during output charging for the figure 5 power-up sequence where the load supply is powered up before  $V_{CC}$ . This is because the GATE voltage is below  $\Delta V_{GSARM}$  and the MOSFET may not reach the specified  $R_{DS(ON)}$ . The  $V_{IN}$  load supply should have sufficient capability to handle the inrush as the output charges up. For proper startup, the final load at time

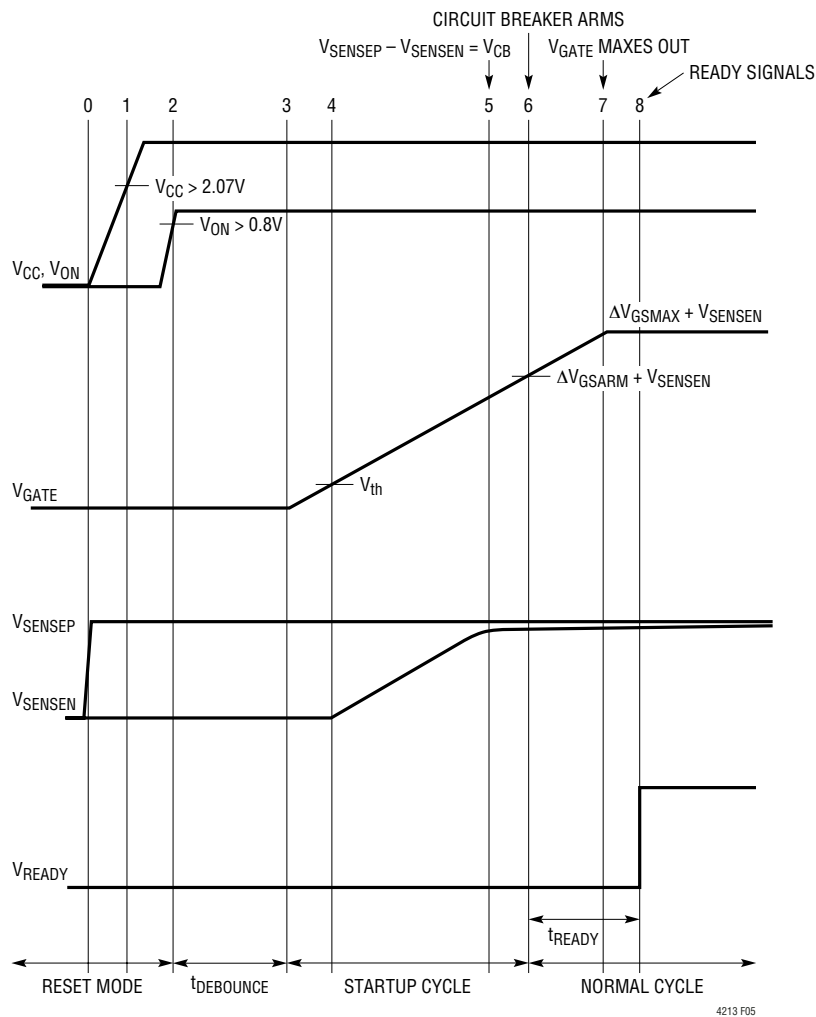


Figure 5. Load Supply Power-Up Before  $V_{CC}$



## APPLICATIONS INFORMATION

point 6 should be within the circuit breaker limits. Otherwise, the system fails to start and the circuit breaker trips immediately after arming. In most applications additional external gate capacitance is not required unless  $C_{LOAD}$  is large and startup becomes problematic. If an external gate capacitor is employed, its capacitance value should not be excessive unless it is used with a series resistor. This is because a big gate capacitor without resistor slows down the GATE turn off during a fault. An alternative method would be a stepped  $I_{SEL}$  pin to allow a higher current limit during startup.

In the event of output short circuit or a severe overload, the load supply can collapse during GATE ramp up due to load supply current limit. The chosen MOSFET must withstand this possible brief short circuit condition before time point 6 where the circuit breaker is allowed to trip. Bench short circuit evaluation is a practical verification of a reliable design. To have current limit while powering a MOSFET into short circuit conditions, it is preferred that the load supply sequences to turn on after the circuit breaker is armed as described in an earlier section.

### Power-Off Cycle

The system can be powered off by toggling the ON pin low. When ON is brought below 0.76V for 5 $\mu$ s, the GATE and READY pins are pulled low. The system resets when ON is brought below 0.4V for 80 $\mu$ s.

### MOSFET Selection

The LTC4213 is designed to be used with logic (5V) and sub-logic (3V) MOSFETs for  $V_{CC}$  potentials above 2.97V with  $\Delta V_{GS_{MAX}}$  exceeding 4.5V. For a  $V_{CC}$  supply range between 2.3V and 2.97V, sub-logic MOSFETs should be used as the minimum  $\Delta V_{GS_{MAX}}$  is less than 4.5V.

The selected MOSFET  $V_{GS}$  absolute maximum rating should meet the LTC4213 maximum  $\Delta V_{GS_{MAX}}$  of 8V.

Other MOSFET criteria such as  $V_{BDSS}$ ,  $I_{D_{MAX}}$ , and  $R_{D_{SON}}$  should be reviewed. Spikes and ringing above maximum operating voltage should be considered when choosing  $V_{BDSS}$ .  $I_{D_{MAX}}$  should be greater than the current limit. The maximum operating load current is determined by the  $R_{D_{SON}}$  value. See the section on “Calculating Current Limit” for details.

### Supply Requirements

The LTC4213 can be powered from a single supply or dual supply system. The load supply is connected to the SENSEP pin and the drain of the external MOSFET. In the single supply case, the  $V_{CC}$  pin is connected to the load supply, preferably with an RC filter. With dual supplies,  $V_{CC}$  is connected to an auxiliary bias supply  $V_{AUX}$  where  $V_{AUX}$  voltage should be greater or equal to the load supply voltage. The load supply voltage must be capable of sourcing more current than the circuit breaker limit. If the load supply current limit is below the circuit breaker trip current, the LTC4213 may not react when the output overloads. Furthermore, output overloads may trigger UVLO if the load supply has foldback current limit in a single supply system.

### $V_{IN}$ Transient and Overvoltage Protection

Input transient spikes are commonly observed whenever the LTC4213 responds to overload. These spikes can be large in amplitude, especially given that large decoupling capacitors are absent in hot swap environments. These short spikes can be clipped with a transient suppressor of adequate voltage and power rating. In addition, the LTC4213 can detect a prolonged overvoltage condition. When

## APPLICATIONS INFORMATION

SENSEP exceeds  $V_{CC} + 0.7V$  for more than  $65\mu s$ , the LTC4213's internal overvoltage protection circuit activates and the GATE pin pulls down and turns off the external MOSFET.

### Typical Electronic Fuse Application for a Single Supply System

Figure 6 shows a single supply electronic fuse application. An RC filter at  $V_{CC}$  pin filters out transient spikes. An optional Schottky diode can be added if severe  $V_{CC}$  dips during a fault start-up condition is a concern. The use of the Schottky and RC filter combination is allowed if the load supply is above 2.9V and the total voltage drop towards the  $V_{CC}$  pin is less than 0.4V. The LTC4213's internal UVLO filter further rejects bias supply's transients of less than  $t_{RESET}$ . During power-up, it is good engineering practice to ensure that  $V_{CC}$  is fully established before the ON pin enables the system at  $V_{ON} = 0.8V$ . In this application, the  $V_{CC}$  voltage reached final value approximately after a  $5.3 \cdot R_1 \cdot C_1$  delay. This is followed by the ON pin exceeding 0.8V after a  $0.17 \cdot R_2 \cdot C_2$  delay. The GATE pin starts up after an internal  $t_{DEBOUNCE}$  delay.

### Typical Single Supply Hot Swap™ Application

A typical single supply Hot Swap application is shown in Figure 7. The  $\overline{RESET}$  signal at the backplane is held low initially. When the PCB long edge makes contact the ON pin is held low ( $<0.4V$ ) and the LTC4213 is kept in reset mode. When the short edge makes contact the  $V_{IN}$  load supply is connected to the card. The  $V_{CC}$  is biased via the RC filter. The  $V_{OUT}$  is pre-charged via R5. To power-up successfully, the R5 resistor value should be small enough to provide the load requirement and to overcome the  $280\mu A$  current source sinking into the SENSEN pin. On the other hand, the R5 resistor value should be big enough avoiding big inrush current and preventing big short circuit current. When  $\overline{RESET}$  signals high at backplane, C2 capacitor at the ON pin charges up via the R3/R2 resistive divider. When ON pin voltage exceeds 0.8V, the GATE pin begins to ramp up. When the GATE voltage peaks, the external MOSFET is fully turned on and the  $V_{IN}$ -to- $V_{OUT}$  voltage drop reduces. In normal mode operation, the LTC4213 monitors the load current through the  $R_{DS(ON)}$  of the external MOSFET.

Hot Swap is a trademark of Linear Technology Corporation.

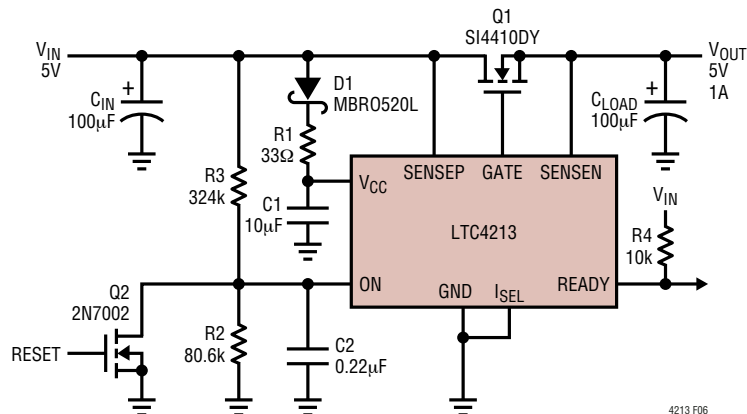
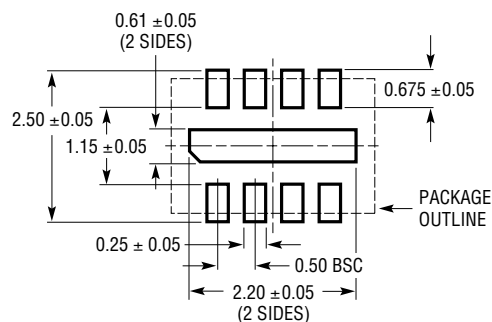


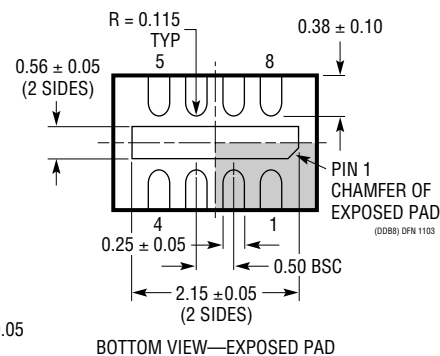
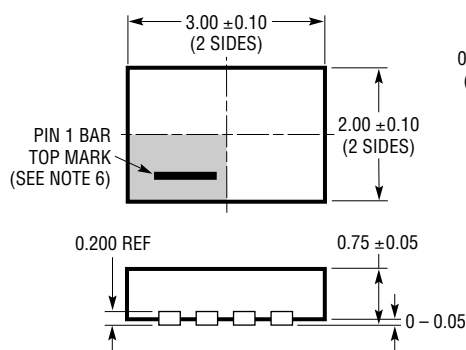
Figure 6. Single Supply Electronic Fuse

## PACKAGE DESCRIPTION

### DDB Package 8-Lead Plastic DFN (3mm × 2mm) (Reference LTC DWG # 05-08-1702)



RECOMMENDED SOLDER PAD PITCH AND DIMENSIONS



#### NOTE:

1. DRAWING CONFORMS TO VERSION (WECD-1) IN JEDEC PACKAGE OUTLINE M0-229
2. DRAWING NOT TO SCALE
3. ALL DIMENSIONS ARE IN MILLIMETERS
4. DIMENSIONS OF EXPOSED PAD ON BOTTOM OF PACKAGE DO NOT INCLUDE MOLD FLASH. MOLD FLASH, IF PRESENT, SHALL NOT EXCEED 0.15mm ON ANY SIDE
5. EXPOSED PAD SHALL BE SOLDER PLATED
6. SHADED AREA IS ONLY A REFERENCE FOR PIN 1 LOCATION ON THE TOP AND BOTTOM OF PACKAGE

## TYPICAL APPLICATION

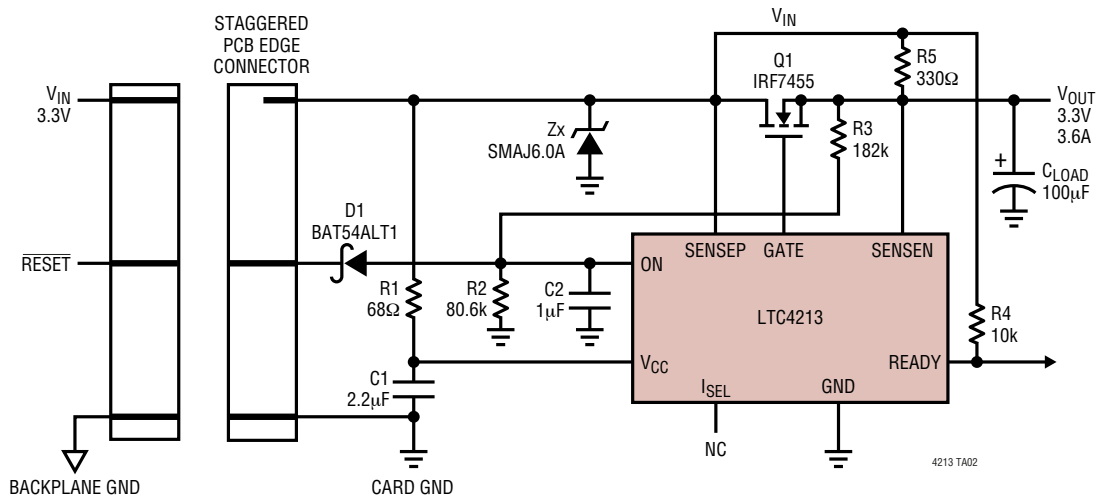


Figure 7. Single Supply Hot Board Insertion

## RELATED PARTS

PART NUMBER	DESCRIPTION	COMMENTS
LTC1421	Dual Channel, Hot Swap™ Controller	24-Pin, Operates from 3V to 12V and Supports -12V
LTC1422	Single Channel, Hot Swap Controller in SO-8	Operates from 2.7V to 12V, System Reset Output
LTC1642	Fault Protected, Hot Swap Controller	Operates up to 16.5V, Overvoltage Protection to 33V
LTC1643AL/LTC1643AH	PCI Hot Swap Controllers	3.3V, 5V and ±12V Supplies
LTC1645	Dual Channel Hot Swap Controller	Operates from 1.2V to 12V, Power Sequencing
LTC1647	Dual Channel, Hot Swap Controller	Operates from 2.7V to 16.5V
LTC4210	Single Channel, Hot Swap Controller in SOT-23	Operates from 2.7V to 16.5V, Multifunction Current Control
LTC4211	Single Channel, Hot Swap Controller in MSOP	2.5V to 16.5V, Multifunction Current Control
LTC4216	Ultra Low Voltage Hot Swap Controller	Operates from 2.7V to 16.5V, Multifunction Current
LTC4221	Dual Channel, Hot Swap Controller	Protects Load Voltages from 0V to 6V
LTC4230	Triple Channel, Hot Swap Controller	1.7V to 16.5V, Multifunction Current Control
LTC4251	-48V Hot Swap Controller in SOT-23	-48V Hot Swap Controller, Active Current Limiting
LTC4252	-48V Hot Swap Controller in MSOP	Active Current Limiting with Drain Acceleration
LTC4253	-48V Hot Swap Controller and Sequencer	Active Current Limiting with Drain Acceleration and Three Sequenced Power Good Outputs